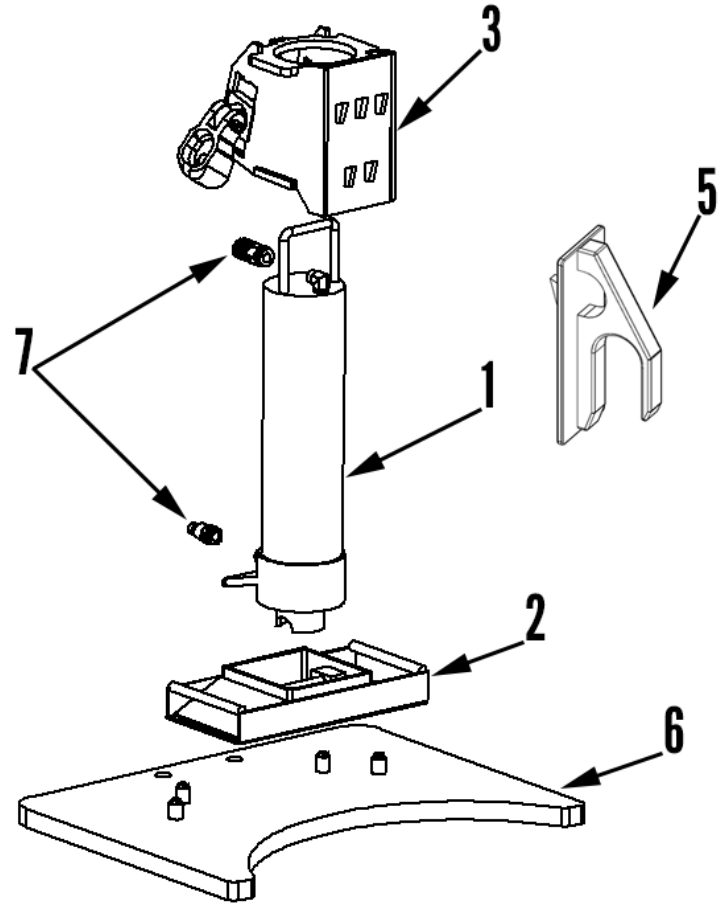


PARTS BREAKDOWN

PRIMARY COMPONENTS

PART #	DESCRIPTION
1	HA0015 Hydraulic cylinder assembly - 16 inch stroke base
2	HA0008 Steel base plate
3	HA0016 Swivel plate assembly (breakdown shown below)
4	EF0001 1/2 inch chain - 6 feet (not shown)
5	HA0030 Back plate
6	HA0040 Pole puller pad (sold separately)



OPTIONAL COMPONENTS

PART #	DESCRIPTION
7	KA0003 Flat face coupler kit for cylinder
8	GD0005 Set of hoses - 15 feet length
9	LS0010 Cylinder seal kit
10	4041B Long tooth back plate
11	SP1000 Clamshell attachment for 8-12 inch Ø poles
12	SP1100 Clamshell attachment for 12-16 inch Ø poles
13	SP1200 Clamshell attachment for 16-20 inch Ø poles

SWIVEL PLATE ASSEMBLY PART #HA0016 (item #3 above)

PART #	DESCRIPTION
14	GH0002 Side blocks (2)
15	GI0002 Main chain bar
16	GI0003 Casting hook pin (2)
17	EGE026 Clip casting hook pin (4)
18	AGA001 Chain hook casting (2)
19	GH0001 Latch hook
20	EGE005 Cotter pin for latch hook

