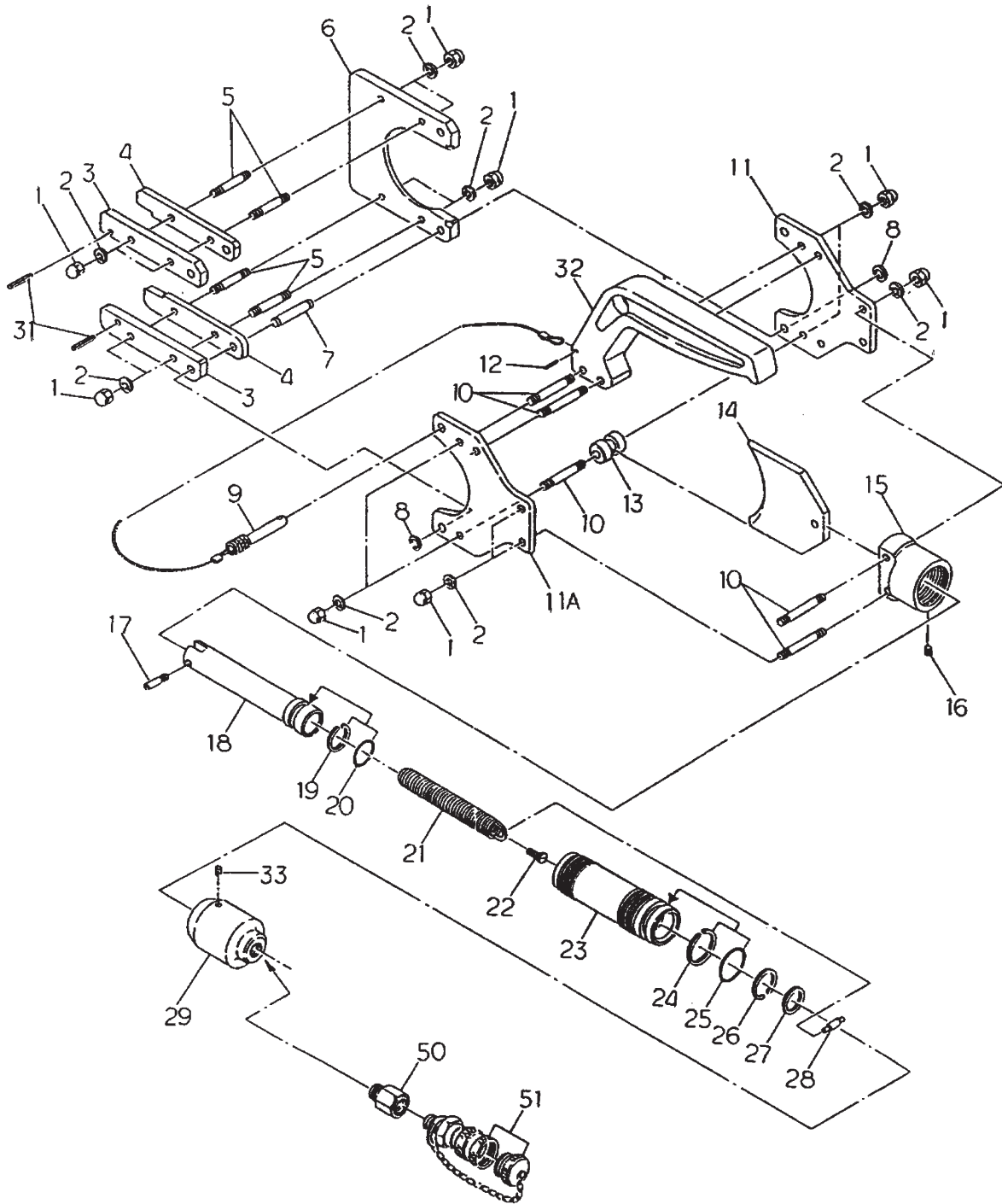




# Huskie TOOLS

## SP-85 BREAKDOWN



## **SP-85 PARTS LIST**

<b>NO.</b>	<b>DESCRIPTION</b>	<b>CODE</b>	<b>QTY.</b>
1	M8 Cap Nut	85-01	18
2	M8 Lock Washer	40-25	18
3	Head Shear Plate	85-02	2
4	Spacer	85-03	2
5	Stud Bolt (3)	85-04	4
6	Head Shear	85-05	1
7	Pin (44)	85-06	1
8	CE-9 Snap Ring	75-05	2
9	Lock Pin Ass'y	85-07	1
10	Stud Bolt (4)	85-09	5
11	Support Plate	P85E-01	2
12	3 X 20 Drive Pin (AW)	P55-06	1
13	Roller	85-11	1
14	Blade	85-12	1
15	Cylinder Head	P85E-02	1
16	M5 X 8 Screw (C.P.)	P55A-02	1
17	Blade Screw	85-14	1
18	Ram	85-15	1
19	P-24 Back-Up Ring (B.C.)	85-16	1
20	P-24 O-Ring	85-17	1
21	Spring (147)	85-18	1
22	Spring Anchor Screw	85-19	1
23	Cylinder	P85-02	1
24	P-34 Back-Up Ring (B.C.)	85-22	1
25	P-34 O-Ring	85-23	1
26	JO-30 Snap Ring	85-24	1
27	Retainer Washer	85-25	1
28	Spring Anchor Pin	85-26	1
29	Cylinder Extension	P85-03	1
30	Female Coupler IZUMI	100-24	1
31	5 X 18 Drive Pin (AW)	P85-06	2
32	Carrying Handle	P85-07	1
33	M4 X 5 Screw (C.P.)	55A-24	1
50	Adapter 3/8" PT-M. 3/8" NPT-F.	P85-80	1
51	Female Coupler P.H. Type	P85-81	1