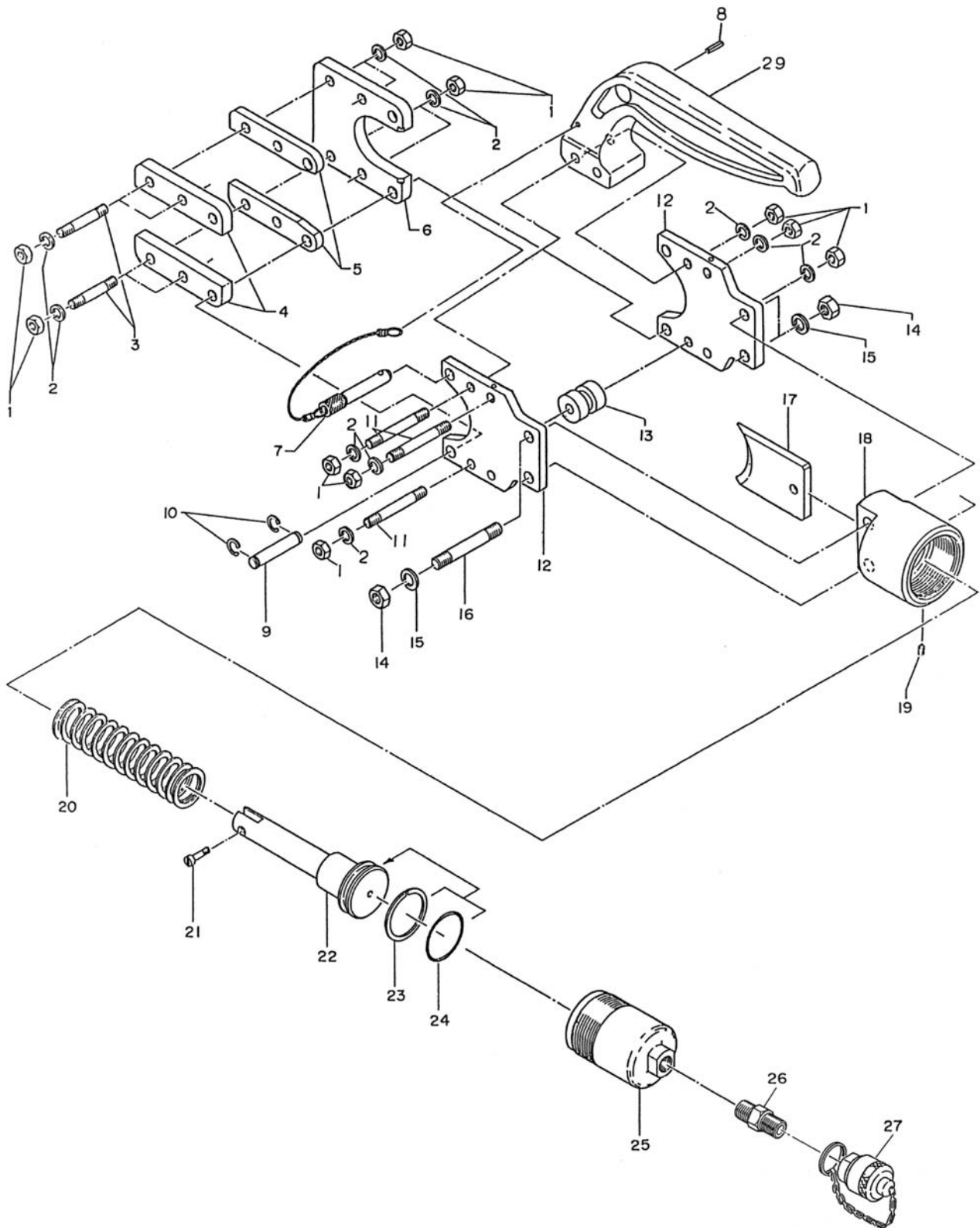




Huskie
TOOLS

MODEL SP-55

Parts Diagram





NO.	DESCRIPTION	CODE	QTY.
1	M10 HEX. NUT	40-31	14
2	M10 LOCK WASHER	40-32	14
3	STUD BOLT (7)	55-01	4
4	HEAD SHEAR PLATE	55-02	2
5	SPACER	55-03	2
6	HEAD SHEAR PLATE	55-04	1
7	LOCK PIN	55E-01	1
8	3 X 20 DRIVE PIN (AW)	P55-06	1
9	PIN (48)	55-08	1
10	CE-12 SNAP RING	55-09	2
11	STUD BOLT (8)	55-10	3
12	SUPPORT PLATE	55E-03	2
13	ROLLER	55-13	1
14	M12 HEX. NUT	55-14	4
15	M12 LOCK WASHER	40-09	4
16	STUD BOLT (15)	55-15	2
17	BLADE	55-16	1
18	CYLINDER HEAD	P55A-01	1
19	M4 X 5 SCREW (C.P.)	55A-24	1
20	SPRING (104)	P55-02	1
21	BLADE SCREW	55-19	1
22	RAM	P55-03	1
23	P-46 BACK-UP RING (B.C.)	P55-04	1
24	P-46 O-RING	P55-05	1
25	CYLINDER	P55A-03	1
26	METRIC STD. ADAPTER	RD-13	1
27	MALE COUPLER	MC-8/DC-8	1
29	CARRYING HANDLE	P55-07	1