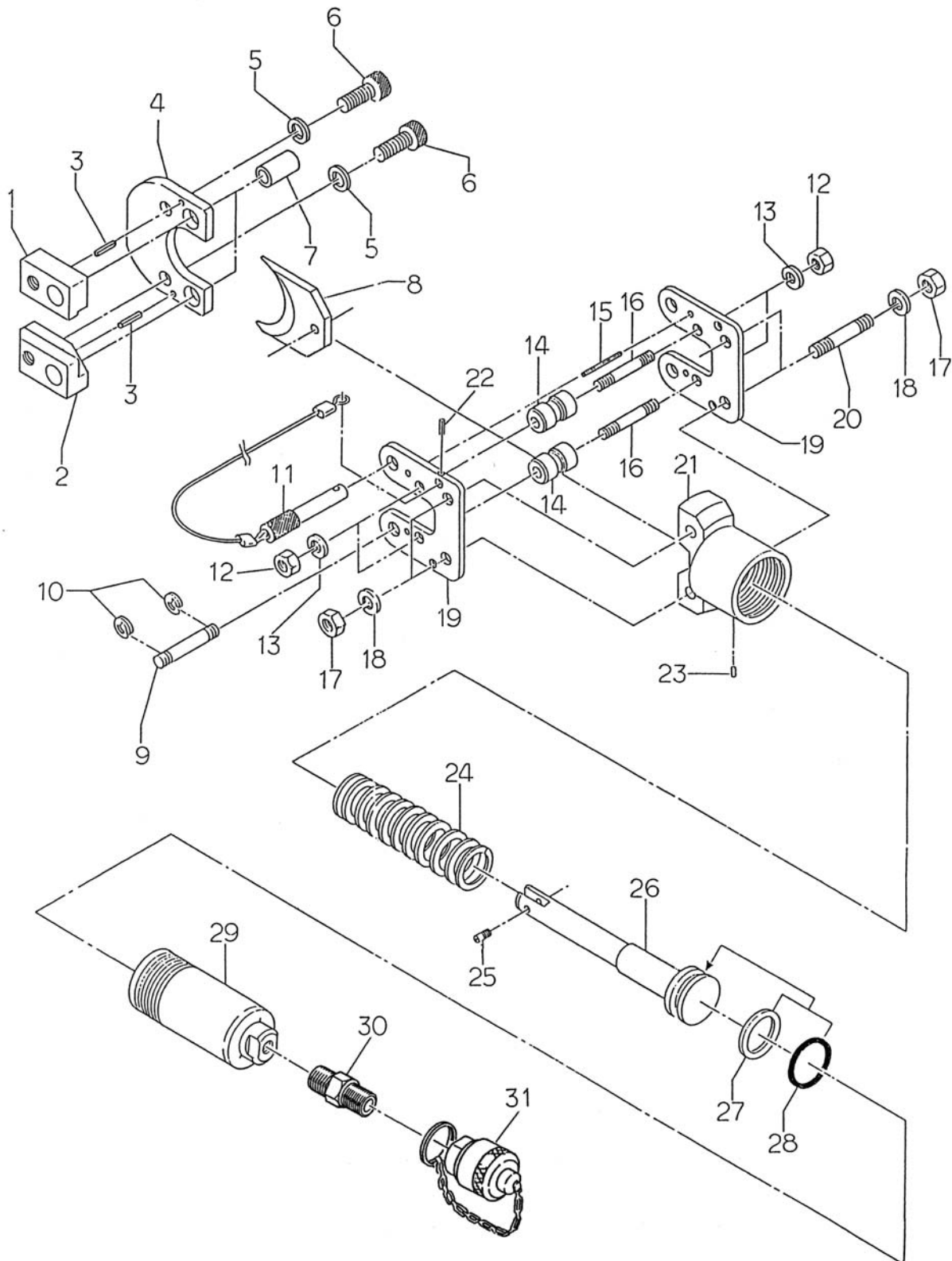




**Huskie**  
**TOOLS**

# MODEL SP-40

## Parts Diagram





**Huskie**  
**TOOLS**

# MODEL SP-40

## Parts List

NO.	DESCRIPTION	CODE	QTY.
1	GUIDE PIECE (A)	40-02	1
2	GUIDE PIECE (B)	40-04	1
3	3 X 12 DRIVE PIN (AW)	40-05	2
4	HEAD SHEAR (H.A.)	40-07	1
5	M12 LOCK WASHER	40-09	2
6	M12 X 30 SCREW	40-11	2
7	BUSHING	40-12	2
8	BLADE	40-14	1
9	PIN (43)	40-15	1
10	CE-10 SNAP RING	40-16	2
11	LOCK PIN ASS'Y	40-17	1
12	M8 HEX. NUT	40-24	4
13	M8 LOCK WASHER	40-25	4
14	ROLLER	40-27	2
15	4 X 40 DRIVE PIN (AW)	40-28	1
16	STUD BOLT (17)	40-30	2
17	M10 HEX. NUT	40-31	4
18	M10 LOCK WASHER	40-32	4
19	SUPPORT PLATE	40-34	2
20	STUD BOLT (16)	40-36	2
21	BODY HEAD	P40-02	1
22	2 X 12 DRIVE PIN (AW)	40-21	1
23	M5 X 8 SCREW (C.P.)	P55A-02	1
24	SPRING (121)	40-38	1
25	BLADE SCREW	40-40	1
26	RAM	40-42	1
27	P-32 BACK-UP RING (B.C.)	40-43	1
28	P-32 O-RING	40-44	1
29	CYLINDER	P40-01	1
30	METRIC STD. ADAPTER	RD-13	1
31	MALE COUPLER	MC-8/DC-8	1

[parts@huskietools.com](mailto:parts@huskietools.com)

[www.huskietools.com](http://www.huskietools.com)