



Huskie
TOOLS



OPERATING INSTRUCTION MANUAL
REC-3410
12 TON BATTERY- POWERED COMPRESSION TOOL
1" JAW OPENING

Connect with us!



[@huskietoolsinc](https://twitter.com/huskietoolsinc)



facebook.com/huskietools



linkedin.com/company/huskie-tools



youtube.com/user/huskietools

SPECIFICATIONS

REC-3410

Output:	12Ton
Weight:	19 lbs. with battery
Size:	18" L x 10.5" H x 3.5"W
Jaw Opening:	1"

CRIMPING ESTIMATES

	BP-80
4/0 Cu	90
500 MCM Cu	60

CONNECTOR RANGE

Lugs	#8 AWG-750 MCM Cu #10 AWG-750 MCM Al
Splices	#8 AWG-400 MCM Cu #10 AWG-400 MCM Al

BATTERY CARTRIDGE (BP-80)

Battery Type:	Lithium Ion
Voltage:	14.4V DC
Rated Current:	3 Ah
Charge Time:	1 Hour
Dimensions:	3.5"L x 2.7"W x 5.3"H
Weight:	1.25 lbs.

BATTERY CHARGER (CH-90)

Input Voltage:	120V AC
Charging Capacity:	20VA
Dimensions:	4.5"L x 3.5"W x 3"H
Weight:	1.5 lbs.

FEATURES

- Tested up to 75kV
- Rotational Head
- Rapid Advance
- Ergonomically Balanced
- Weather Resistant Housing
- Audible Bypass when Predetermined Pressure is Achieved.
- Includes DIE-CASE
- Protective Rubber Boot on "C" Head For Brush Contact.
- 5 Year Warranty on Tool, Battery & Charger

KIT INCLUDES

- 1 Battery Powered Tool
- 1 Carrying Case
- 1 CH-90 Tri-Chemistry Charger
- 2 BP-80 Lithium Ion Batteries
- 1 Carrying Strap

Battery and Charger

- BP-80 Huskie Tools Lithium Ion Battery
- CH-90 Huskie Tools Tri-Chemistry Charger
- This charger can charge the BP-80 and ALL previous Huskie Tools batteries, including the BP-70, BP-70EI and the BP-70MH.



OPTIONAL ACCESSORIES



DC CHARGER CORD
CH-DCC

OPERATING INSTRUCTIONS

CHARGING THE BATTERY



1. Insert the plug end into a 120V power source. The LED (Power) indicator will be steady green indicating the charger is now in “stand-by” mode and ready to charge the battery. Do not plug the charger into a generator as this will likely cause the fuse in the charger to short, and will not operate.
2. To charge a drained battery, insert the battery into the charger. The LED indicator shows a steady amber while charging. A depleted battery will be completely charged in approximately 50-70 minutes. The LED indicator will show a steady green when the battery is fully charged.
3. If the LED indicator goes out or is flashing quick amber, this could be a possible short in the battery circuit, or a problem with the charger itself. It is best to consult the factory at **1-800-860-6170** for service if such a condition occurs.
4. For technical questions or difficulty in operation, please call our customer service department at **1-800-860-6170**.

ATTACHING THE BATTERY CARTRIDGE

1. While pressing the latch, pull out the battery cartridge. To replace the battery cartridge, push the new cartridge firmly into place.
2. After inserting a battery cartridge, check that it is securely in place by pulling gently. Do not press the latch when pulling the cartridge.

TRIGGER AND RELEASE BUTTON

1. The ram advances when the trigger is pressed and stops when the trigger is released.
2. To retract the ram, push the release button. The ram continues to retract while the release button is pressed.

OPERATING INSTRUCTIONS

COMPRESSION

1. Select the appropriate size dies for the connector being used.
2. Insert half of the die into the C-head by sliding it while lifting the die release pin.
3. Press the rocker switch to advance the ram until the die release pin is accessible. Then insert the other half of the die into the ram while pressing the die release pin.
4. Press the rocker switch to advance the ram so the connector is held between the dies.
5. Insert the conductor into the connector.
6. Press the rocker switch until the compression is completed. A series of clicks will be heard followed by a release in pressure when compression is completed.
7. Press the rocker switch to retract the ram. The ram continues to retract while the rocker button is pressed. The ram stops when it reaches the lower end.
8. Remove the conductor from the tool.

IMPORTANT OPERATING PRECAUTIONS

PRECAUTION FOR THE TOOL

1. Select appropriate dies for the connector to be compressed. Incorrect combinations result in inferior connections of the conductors. Consult your connector manufacturer for the recommended die/connector combinations.
2. Always point the tool **AWAY** from other people.
3. If the tool is stored for an extended period at a temperature of less than 25° F (-5°C), the tool should be allowed to return to room temperature to ensure smooth operation. Use the tool only after it has been at room temperature for 1 hour.
4. Do not drop the tool. Dropping the tool may damage the hydraulic circuit and result in the tool not functioning correctly.
5. Keep the head and ram clean and free of debris. Solvents can be used to clean the head, but should not be used on the plastic body. Use soap and water to clean the body.

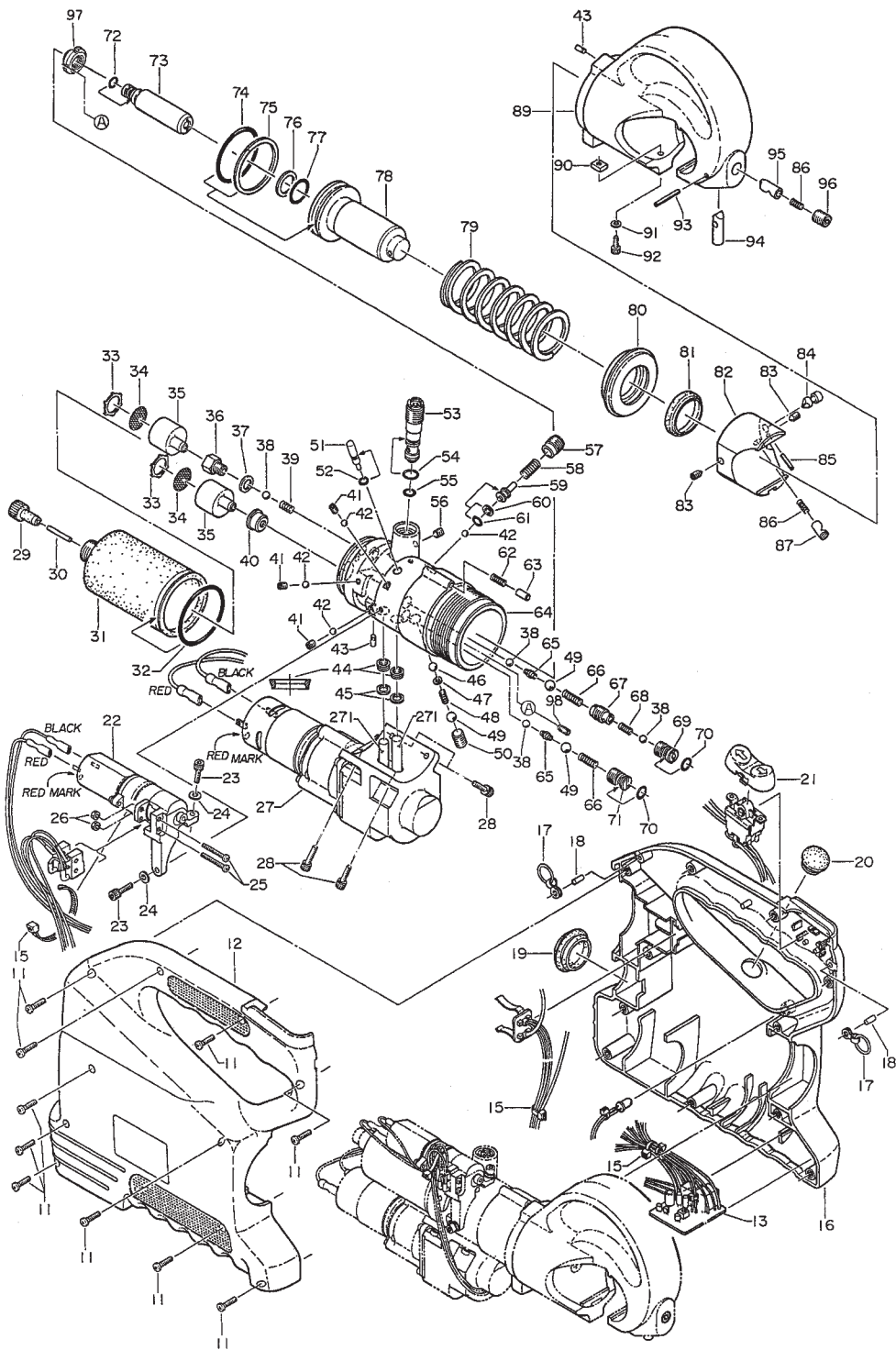
PRECAUTION FOR THE BATTERY CARTRIDGE

1. Do not short circuit the contacts or expose the cartridge to water, oil or solvents.
2. Do not disassemble or attempt to repair the battery cartridge or dispose of in a fire.
3. Do not drop or otherwise abuse the battery cartridge.
4. Do not leave the cartridge in locations where it will be exposed to a temperature greater than 140°F (60°C) for an extended period.
5. The battery has a limited life. When the crimping capacity becomes about 1/2 that of the original capacity, the battery should be replaced.
6. If the battery cartridge is stored without being charged, natural drainage will cause the power to be reduced. The battery should be charged every 3 months if not in use.

PRECAUTION FOR THE CHARGER

1. The LED indicator lights up amber and remains lit when the unit starts charging a battery cartridge. The indicator turns green when charging is completed.
2. This unit is for charging battery cartridges BP-80, BP-70E, BP-70EI and BP-70MH only. Do not use the charger for any other devices.
3. Allow battery cartridges to cool before charging. Allow at least 15 minutes between charges when charging several cartridges in succession.
4. Charge batteries at an ambient temperature of 50°-95°F (10°-35° C). Charging time is approximately 50-70 minutes for the BP-80, 50 minutes for the BP-70E and BP-70EI, and 70 minutes for the BP-70MH.
5. Never short circuit the output terminals.
6. Do not expose the charger to water, oil or solvents.
7. Do not disassemble, attempt to modify, drop or otherwise abuse charger.

BREAKDOWN



REC-3410 PARTS LIST

NO	DESCRIPTION	S CODE	QTY	NO	DESCRIPTION	S CODE	QTY
11	M4 X 15 Screw	R150-01	10	53	Valve Cartridge	R510-18A	1
12	Housing (R)	351-01	1	54	S-9 O-Ring	410-71	1
13	Control Unit	351-02	1	55	P-8 O-Ring (B)	700S-15	1
15	Binder	HR-30	3	56	M5 X 5 Screw	300-73	1
16	Housing (L)	351-03	1	57	Valve Screw (4)	351-13	1
17	Hanging Ring Ass'y	ROB-101A	2	58	Spring (595)	351-14	1
18	4 X 12 Parallel Pin	351-04	2	59	Reduction Valve	351-15	1
19	Oil Feed Cap	351-05	1	60	P-5 Back-Up Ring (B.C.)	E3-126	1
20	Cartridge Cap	ROB-103	1	61	P-5 O-Ring	5N-35	1
21	Switch Knob	351-06	1	62	Spring (371)	51-17	1
22	Release Unit	351-07	1	63	Stopper Pin	351-16	1
23	M4 X 10 Screw	351-08	2	64	Body	351-17	1
24	M4 Flat Washer	16-81	6	65	Spring (66)	85-40	2
25	M2.3 X 25 Screw	ROB-86	2	66	Spring (67)	85-39	2
26	M2.3 Hex Nut	P500-22	2	67	Valve Screw (2)	351-18	1
27	Power Unit	351-09	1	68	Spring (340)	51-27	1
28	M4 X 14 Screw	ROB-128	4	69	Valve Screw (3)	351-19	1
29	Reservoir Cap	410-55	1	70	P-7 O-Ring	16-60	2
30	Magnet	ROB-25	1	71	Valve Screw (1)	R510A-09	1
31	Oil Reservoir (37)	351-10	1	72	S-5 O-Ring	351-20	1
32	P-40 O-Ring	700S-27	1	73	Inner Pipe	341-01	1
33	SI-20 Ring	410-74	2	74	P-41 O-Ring	L100-23	1
34	Filter Screen	410-73	2	75	P-41 Back-Up Ring (B.C.)	16B-04	1
35	Strainer	9H-43A	2	76	P-16 Back-Up Ring (B.C.)	22-24	1
36	Strainer Bushing (1)	351-11	1	77	P-16 O-Ring	22-25	1
37	Copper Gasket (20)	100W-17	1	78	Ram	341-02A	1
38	3/16" Ball	16-49	4	79	Spring (596)	341-03	1
39	Spring (340)	51-27	1	80	Guide Ring	341-04	1
40	Strainer Bushing (2)	ROB-82	1	81	SER-30 Scraper	R510-03	1
41	M5 X 5 Screw (F.P.)	510A-05	3	82	Ram Head	341-05A	1
42	5/32" Ball	22-21	4	83	M5 X 8 Screw (C.P.)	P55A-02	2
43	3 X 8 Dowel Pin (D)	610F-11	2	84	Die Release Pin	430-21	1
44	PS-8 Pent Seal	16-44	2	85	2.5 X 14 Drive Pin (BW)	410-11	1
45	P-8 Back-Up Ring (B.C.)	85-33	2	86	Spring (177)	410-01	2
46	7/32" Ball	16-26	1	87	Retainer Pin (B)	410-12	1
47	M3 Flat Washer	16-38	1	89	Head	341-07	1
48	Spring (76)	16-39	1	90	Key	410-08	1
49	9/32" Ball	16-40	3	91	M4 Lock Washer	410-07	1
50	M10 X 12 Screw (F.P.)	40-47	1	92	M4 X 10 Screw	410-06	1
51	Release Pin	351-12	1	93	2.5 X 25 Drive Pin (BW)	410-04	1
52	P-3 O-Ring	16-36	1	94	Die Release Pin (A)	410-03	1
				95	Retainer Pin (A)	410-02	1
				96	M10 X 10 Screw (F.P.)	16-41	1
				271	Pump Piston (2)	P500-10	2

TROUBLESHOOTING GUIDE

PROBLEM	CAUSE	SOLUTION
MOTOR RUNS, BUT THE TOOL JAWS WILL NOT ADVANCE	Insufficient Hydraulic Oil	Consult Factory for Repair Service
	Air Block in Hydraulic System	Invert tool to allow air to rise towards the top of the oil bladder
	Defective Hydraulic Circuit	Consult Factory for Repair Service
MOTOR RUNS, TOOL JAWS ADVANCE, BUT WILL NOT BUILD PRESSURE	Insufficient Hydraulic Oil	Consult Factory for Repair Service
	Defective Suction Valve or Bypass Cartridge	Consult Factory for Repair Service
MOTOR WILL NOT RUN AT ALL	Defective Battery	Charge or Replace Battery
	Bad Contact or Loose Battery Connections	Check all Connections and Wires
	Misaligned Switch	Check to Make Sure that Switch is Properly Aligned with Trigger
Consult Factory for Repair Service		
TOOL JAWS WILL NOT RELEASE	Tool Did Not Complete a Full Cycle and Bypass	Press Trigger and allow Tool to Bypass, Then Release Tool Jaws
	Connector is Jammed in Tool Jaws	Press and Hold Release Trigger While Prying Tool Jaws Apart
	Release Trigger is Bent or Misaligned	Consult Factory for Repair Service

WARRANTY

Huskie Tools products carry a warranty that makes us a leader in the tool industry. No other manufacturer dares to back its tools as we do.

All Huskie REC-SERIES battery operated products carry a 5 year warranty. The ECO-SERIES battery operated products carry a 3 year warranty. The BP-70E, BP-70EI, BP-70MH, and BP-80 batteries carry a 5 year or 1,000 recharge cycles warranty from the date stamped on the battery.

PRODUCT WARRANTY

REC-Series battery operated products	5 Years
ECO-Series battery operated products*	3 Years
Batteries (BP-70E, BP-70EI**, BP-70MH, BP-80)	5 years
Chargers (CH-35R, CH-70DCH, CH-90, CH-86)	5 Years

*There is also a 1 year warranty available for the ECO-Series, please make sure which was purchased with the tool.

**The BP-70EI is no longer available. The LED indicator on the BP-70EI carries a 1 year warranty from purchase date.

The warranty does not cover any damages incurred from a Huskie tool including damages to property, bodily injuries and lost wages resulting from such injuries. This warranty solely covers the repair or replacement of tools supplied by Huskie. These remedies are exclusive, and the total liability of Huskie Tools, Inc. whether based on contract, warranty, negligence, indemnification, strict liability or otherwise, shall not exceed the purchase price of the tool. In no event shall Huskie Tools, Inc. be liable for consequential, incidental or special damages.

HUSKIE TOOLS, INC. MAKES NO OTHER WARRANTIES OF ANY KIND, EXPRESSED OR IMPLIED, AND ALL IMPLIED WARRANTIES INCLUDING ANY WARRANTY OF MERCHANTABILITY AND FITNESS FOR A PARTICULAR PURPOSE ARE DISCLAIMED.

Huskie reserves the right to determine all warranty claims. Huskie will not warranty tools containing parts or batteries not originally supplied by Huskie. Failure due to misuse, improper maintenance, misapplication, not following instructions or warnings, abuse or repairs attempted by anyone other than Huskie Tools, Inc., or an authorized service center renders this warranty null and void.

Repair and Warranty Claims

All claims must be sent to Huskie for inspection and authorization. A Return Goods Authorization (RGA) is required before shipping tools to Huskie. Secure the authorization by telephoning or writing to Huskie's main office with details of the claim. Non-warranty repairs are handled using the same procedure. Repairs exceeding 50 percent of the cost of a new tool will be advised before repairs are made.

Payment Terms

Upon credit approval Huskie's standard payment terms are net-30 days. Visa, Mastercard, Discover and American Express are also accepted.

Freight

All Huskie tools are FOB, Glendale Heights, Illinois. Goods will be shipped pre-paid and added, unless otherwise specified. Freight shipments over \$17,000 are pre-paid.

Quotations

Special quantity quotations should be phoned in to discuss the scope of your tool requests.

Complete Support Services

Our customers have direct access to us for training, service, and problem solving. As specialists in tools, we maintain a trained repair staff and a large stock of parts. This contrasts with many tool suppliers who carry tools as a sideline without offering support services. Here are some reasons why our customers love to do business with us:

- Quick delivery
- We maintain inventory at our headquarters.
 - Training and troubleshooting services.
 - Fast repair service.
- Design and engineering service for special tool needs.

WARRANTY

HOW TO GET SERVICE UNDER THE TERMS OF THE LIMITED WARRANTY

Return your product directly to Huskie Tools, Inc. as our representative network is not Prepared to service the product under the terms of this warranty.

1. Write, call or fax Huskie stating the tool's purchase date and problem. You will be given a RGA # to assure that your merchandise will be properly handled upon its receipt.
2. **CAUTION:** Make sure the product is packaged adequately so as to prevent damage or loss during transit. The shipment must be prepaid and we recommend that it be insured. A cover letter indicating the reason for the return should be included in order to facilitate repairs.
3. To fill out an RGA online, go to Huskietools.com and click on "Repairs."



198 N. Brandon Drive
Glendale Heights, Illinois 60139
Toll Free 1-800-860-6170
Fax (800) 345-3767
huskietools.com
info@huskietools.com