

# OPERATION MANUAL



## EP-430



### EP-430- 12 Ton Compression Tool

Read and understand all of the instructions and safety information in this manual before operating or servicing this tool.



195 Internationale Blvd  
Glendale Heights, IL 60139  
Phone 800-860-6170  
Fax 800-345-3767  
[www.spartacogroup.com](http://www.spartacogroup.com)

## THANK YOU...

*for purchasing a Huskie Tools product. Our mission is to supply the finest steel cable connecting and cutting tools and cable-related products to the transmission and distribution markets. Huskie Tools products represents the state-of-the-art tools and are dependable & safe. Trust, integrity, teamwork and mutual respect - these words are something we take to heart here at Huskie Tools.*

*Please take the time to read this manual carefully to learn how to correctly operate and maintain your tool.*

### Table of Contents

Registration/ Contents.....	2
Warranty.....	3
Safety.....	4
Specs/Kit Includes.....	5
Operating Instructions.....	6-7
Breakdown.....	8
Parts List.....	9

## Warranty

Huskie Tools products carry a warranty that makes us a leader in the tool industry. No other manufacturer dares to back its tools as we do.

All Huskie REC-SERIES battery operated products carry a 5 year warranty. The ECO-SERIES battery operated products carry a 1 year warranty. The BP-80 & BP-84 batteries carry a 5 year warranty from the date stamped on the battery. The BP-82 battery carries a 1 year warranty.

### PRODUCT WARRANTY

REC-Series battery operated products	5 Years
ECO-Series battery operated products	1 Years
Batteries (BP-80, BP-84)	5 years/ (BP-82) 1 year
Chargers (CH-90, CH-94)	5 Years

The warranty does not cover any damages incurred from a Huskie tool including damages to property, bodily injuries and lost wages resulting from such injuries. This warranty solely covers the repair or replacement of tools supplied by Huskie. These remedies are exclusive, and the total liability of Huskie Tools, LLC whether based on contract, warranty, negligence, indemnification, strict liability or otherwise, shall not exceed the purchase price of the tool. In no event shall Huskie Tools, LLC be liable for consequential, incidental or special damages.

HUSKIE TOOLS, LLC MAKES NO OTHER WARRANTIES OF ANY KIND, EXPRESSED OR IMPLIED, AND ALL IMPLIED WARRANTIES INCLUDING ANY WARRANTY OF MERCHANTABILITY AND FITNESS FOR A PARTICULAR PURPOSE ARE DISCLAIMED.

Huskie reserves the right to determine all warranty claims. Huskie will not warranty tools containing parts or batteries not originally supplied by Huskie. Failure due to misuse, improper maintenance, misapplication, not following instructions or warnings, abuse or repairs attempted by anyone other than Huskie Tools, LLC, or an authorized service center renders this warranty null and void.

### Repair and Warranty Claims

All claims must be sent to Huskie for inspection and authorization. A Return Goods Authorization (RGA) is required before shipping tools to Huskie. Secure the authorization by telephoning or writing to Huskie's main office with details of the claim. Non-warranty repairs are handled using the same procedure. Repairs exceeding 50 percent of the cost of a new tool will be advised before repairs are made.

### Payment Terms

Upon credit approval Huskie's standard payment terms are net-30 days. Visa, Mastercard, Discover and American Express are also accepted.

### Freight

All Huskie tools are FOB, Glendale Heights, Illinois. Goods will be shipped pre-paid and added, unless otherwise specified. Freight shipments over \$17,000 are pre-paid.

### Quotations

Special quantity quotations should be phoned in to discuss the scope of your tool requests.

### Complete Support Services

Our customers have direct access to us for training, service, and problem solving. As specialists in tools, we maintain a trained repair staff and a large stock of parts. This contrasts with many tool suppliers who carry tools as a sideline without offering support services. Here are some reasons why our customers love to do business with us:

- Quick delivery
- We maintain inventory at our headquarters.
- Training and troubleshooting services.
- Fast repair service.
- Design and engineering service for special tool needs.



**Safety Alert Symbol:**

This safety alert symbol indicates a potential personal injury hazard; it is not used for messages related to property damage only.



**Wear eye protection:**

when operating this tool. Failure to wear eye protection could result in serious eye injury from flying debris.



**Electric Shock hazard:**

Use proper personal protective equipment when using this unit on or near energized electrical lines.

**Pinch Point Hazard:**

Compression Dies at high force can cause severe personal injury. Keep all body parts away from moving parts of the tool while operating.



## SPECIFICATIONS & KIT INCLUDES

- 1 Compression Tool
- 1 Carrying Case



Specifications	
Output	12 Ton
Weight	13.5 lbs.
Size	24" L
Jaw Opening	1-3/16"

Connector Range	
Lugs	Up to 750 MCM Cu
Splices	Up to 600 MCM Cu

### Features

- Protective Rubber Boot on "C" Head
- External Pressure Adjustment

The **EP-430** is unique in that it has a large jaw opening of 1-3/16" and is able to splice up to 600 MCM. This tool was designed for the electrical contractor or electric utility lineman who is confronted with larger cable diameters and larger connectors. Similar competitive tools are limited to a .95" jaw opening that drastically reduces their connecting range. Most internal hydraulic components are the same as the EP-410 and EP-510.

## Compression

1. Select the appropriate compression die set for the connector and cable being used. The "U" style Huskie HT41-series dies are to be used with the EP-430
2. To insert the dies, depress the die release pin on the ram, and slide die into place. Then, depress release pin on "C" head as well and slide other die half in place. Be sure both die halves are secure before operating the tool.
3. Position the connector between the dies and pump tool handle until the connector is held in place. Fully insert the cable into the barrel of the connector.
4. Continue to pump the tool handle and completely crimp the connector. These tools all have a built in by-pass cartridge that will automatically activate when full pressure is reached. There will be a notice-able decrease in handle pressure when the by-pass is reached. a high pitched squeaking sound is normal when the tool is operating in the high pressure stage.
5. To release the tool, lift pump handle out and rotate clockwise until handle stops. With handle twisted, push down so the pin on the handle contacts the release pin on the tool body. The ram will retract and the tool is ready to begin its next cycle. In the event the tool will not release due to excess flash, hold release pin down with handle and pry tool jaws apart.
6. A compression gauge, model PG-4 is available for the EP-430 for checking output pressure. Consult factory for proper adjusting procedure.

## MAINTENANCE AND INSPECTION

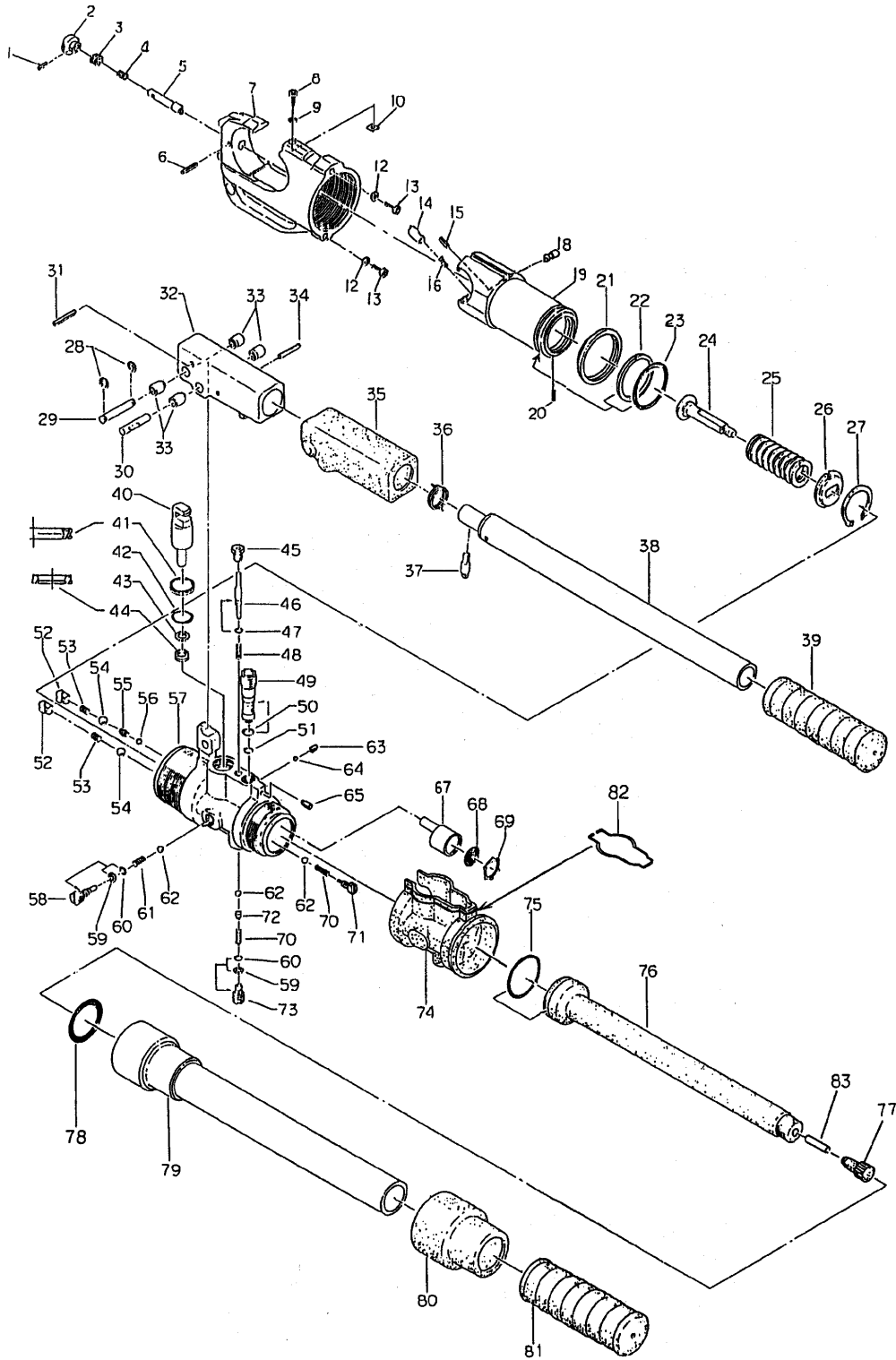
1. Daily maintenance is required to ensure that the tool is kept in good working condition.
2. Do not store the tool in a humid environment.
3. Wipe away any excess oil with a soapy cloth.
4. Provided that maintenance of the tool is carried out regularly, the tool should provide many years of service.
5. Should you experience any difficulty with the operation and maintenance of this tool, contact Huskie's technical support department at 1-800-860-6170.

## PRECAUTION FOR THE TOOL

1. Always point the tool **AWAY** from other people.
2. If the tool is stored for an extended period at a temperature of less than 25° F (-5°C), the tool should be allowed to return to room temperature to ensure smooth operation Use the tool only after it has been at room temperature for 1 hour.
3. Do not drop the tool. Dropping the tool may damage the hydraulic circuit and result in the tool not functioning correctly.
4. Keep the head and ram clean and free of debris. Solvents can be used to clean the head, but should not be used on the plastic body. Use soap and water to clean the body.
5. Do not use tool for continuous use. If any sign of over heating, allow the tool to cool for 15 mins.
6. Do not allow tool to be submerged in water. The tool may be used to in damp or wet environments. However it is recommended for tool to be air-dried before use.

## TROUBLESHOOTING FOR THE TOOL

1. Never operate tools without dies in place. Failure to insert dies before operation will cause damage to the "C" frame and tool ram.
2. Never attempt to adjust pressure setting without the use of the proper test gauge. Consult factory for proper adjusting procedure.
3. All manually operated hydraulic compression tools are equipped with our external replaceable bypass cartridge. These cartridges should not have to be replaced for 10,000 to 12,000 compressions.
4. Die hang up is common with all types of compression tools. Should this occur, the jaws can easily be separated by holding the pump handle in the release position while prying the jaws apart. Never attempt to hit connector or tool jaw with hammer as this will damage connector and tool.
5. If tool fails to advance upon receipt or after an extended period of storage, invert tool and rap compression head sharply on ground. The suction valve check ball can become stuck after extended storage or during shipment, not allowing the tool to advance.
6. Always clean tool after use to keep ram track clear of dirt and debris.





NO.	DESCRIPTION	CODE	QTY.
1	2 X 12 Drive Pin (AW)	40-21	1
2	Knob	510-01	1
3	Screw (16)	510-02	1
4	Spring (257)	510-03	1
5	Retainer Pin (A)	510-04	1
6	2.5 X 25 Drive Pin (BW)	410-04	1
7	Head	430-01	1
8	Guide Screw	510A-15	1
9	M5 Lock Washer (Small)	510-12	1
10	Key	510A-06	1
12	M5 Lock Washer	410-09	2
13	M5 X 6 Screw	410-10	2
14	Retainer Pin (B)	410-12	1
15	2.5 X 14 Drive Pin (BW)	410-11	1
16	Spring (177)	410-01	1
18	Die Release Pin	430-21	1
19	Ram	430-02	1
20	2.5 x 8 Dowel Pin (B)	410-17	1
21	Dust Seal	430-03	1
22	P-40 Back-Up Ring (B.C.)	22-16	1
23	P-40 O-Ring (C.P.)	410-70	1
24	Spring Holder	430-04	1
25	Spring (323)	430-05	1
26	Ram Spring Support	430-06	1
27	OV-36 Snap Ring	410-21	1
28	CE-7 Snap Ring	40-49	2
29	Pin (85)	410-22	1
30	Pin (84)	410-23	1
31	5 X 32 Dowel Pin (G)	85-57A	1
32	Pump Handle Head	410-24	1
33	Bushing	410-25	4
34	4 X 26 Dowel Pin (G)	410-26	1
35	Handle Head Insulation	410-27	1
36	Spring (146)	85-60	1
37	Push Pin	85-61	1
38	Pump Handle Ass'y (Yellow)	410-30B	1
39	Pump Handle Grip (2)	410-31	1
40	Pump Piston	410-32	1
41	P-20 X-Ring	410-33	1
42	P-20 O-Ring (C.P.)	410-34A	1
43	P-8 Back-Up Ring (B.C.)	85-33	1
44	PS-8 Pent Seal	16-44	1
45	Release Valve Screw (7)	85-35	1
46	Release Valve Stem	410-35	1
47	P-3 O-Ring (C.P.)	UC-27	1
48	Spring (144)	85-37	1
49	Bypass Cartridge	410-36	1
50	S-9 O-Ring	410-71	1

NO.	DESCRIPTION	CODE	QTY.
51	P-8 O-Ring (C.P.)	410-43	1
52	Valve Screw (10)	410-44	2
53	Spring (67)	85-39	2
54	9/32" Ball	16-40	2
55	Spring (66)	85-40	1
56	3/16" Ball	16-49	1
57	Body	430-08	1
58	Suction Valve Plug	410-46	1
59	P-4 Back-Up Ring (B.C.)	410-47	2
60	P-4 O-Ring (C.P.)	410-48A	2
61	Spring (4)	16-48	1
62	7/32" Ball	16-26	3
63	M4 X 4 Screw (F.P.)	85-47	1
64	1/8" Ball	40-20	1
65	M5 X 8 Screw	410-49	1
67	Strainer	410-72A	1
68	Filter Screen	410-73	1
69	SI-20 Ring	410-74	1
70	Spring (43)	85-49	2
71	Valve Screw (22)	410-80	1
72	Spring Holder	410-51	1
73	Valve Plug (1)	410-52	1
74	Body Insulation	430-11	1
75	G-30 O-Ring	75-26	1
76	Oil Reservoir	430-09	1
77	Reservoir Cap	410-55	1
78	G-40 O-Ring	P100A-05	1
79	Body Handle Ass'y	430-10A	1
80	Handle Extension Insulation	410-59	1
81	Body Handle Grip	412-05	1
82	Spring (440)	412-04	1
83	Magnet	ROB-25	1



# NOTES



## NOTES



195 Internationale Blvd  
Glendale Heights, IL 60139  
Phone 800-860-6170  
Fax 800-345-3767  
[www.spartacogroup.com](http://www.spartacogroup.com)