

Directional Entry Tool

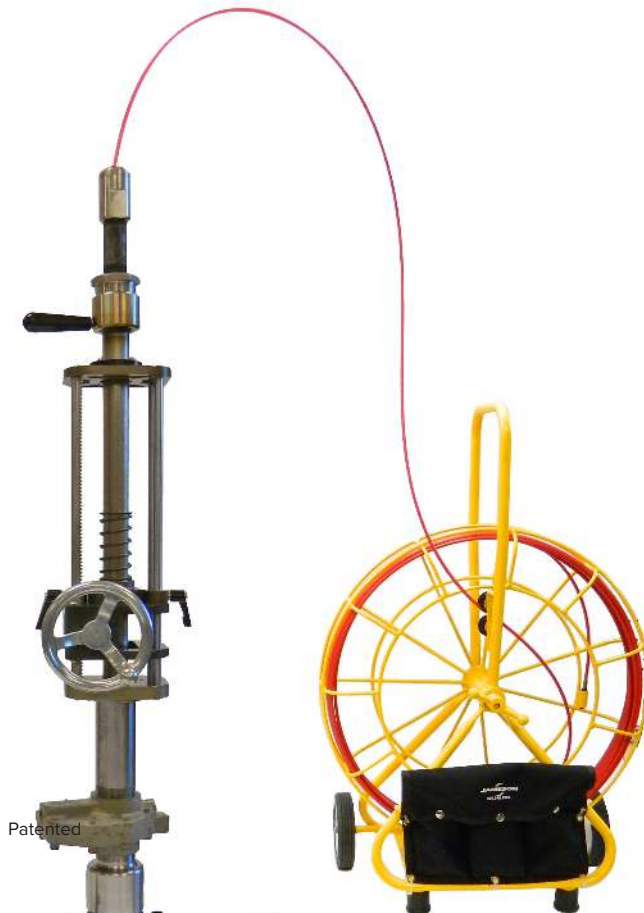


**No Blow By
To 125 PSI**

The Jameson Directional Tool enables vertical insertion of tracer rods and cameras into live gas mains, facilitating the difficult first bend at entry.

- Works on live mains with no blow by
- Compatible with keyhole procedures (fits 24" minimum keyhole)
- Works on mains as small as 2"
- Rotates 360° to insert in either direction
- Optimized for use with Jameson's 1/4" Live Tracer For Gas Mains
- Fits most camera heads 1-3/8" diameter or smaller (*verify before use*)
- Works with commercially available saddles, valves and tap tools
- Works on PVC, PE, Steel and Ductile Iron Mains

Directional Entry Tool with Hard Case	16-DT-2-C
Weight, Tool Only	21.5 lbs.
Weight In Case	50 lbs.
Tool Dimensions	40.5 x 11 x 9.5 in.
Case Dimensions	42 x 13 x 12 in.
Thread size	2" NPT
Pressure Rating	125 psi



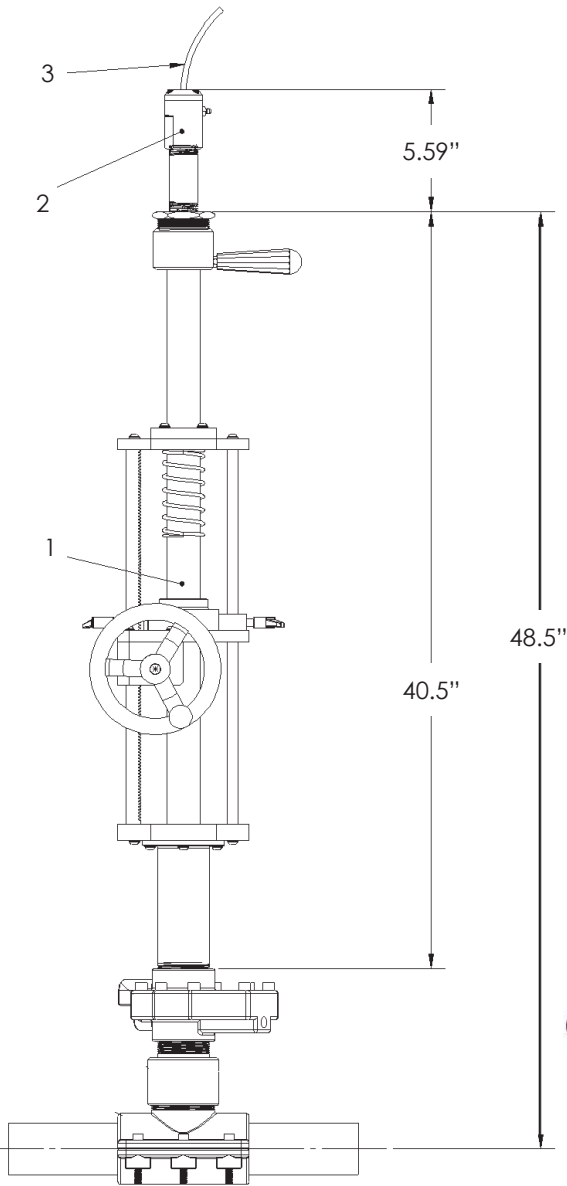
Live Tracer
Trace And Inspect Live Gas Mains

Developed by GTI
Commercialized by Jameson LLC

* Due to continuous improvement, specifications may change at any time.



Directional Entry Tool



Example Application: 2" IPS Pipe
Dimensions Shown With Tool Fully Retracted

Other Configurations Can Be Implemented. Always Confirm Compatibility Of Accessories In A Lab Environment.

Tools Required For Example Shown		
Item	Part Number	Description
1	16-DT-2-C	Directional Entry Tool, 2" NPT
2	16-SB	Stuffing Box for 1/4" Live Tracer
3	16-14-600-GL	1/4" Live Tracer Gas Main Tracing Rodder with Stuffing Box 16-SB

MFR	PN	Description
GF/Central Plastics	360061520	Saddle, Electrofusion, Versatap, 2" IPS, includes completion plug and cap
	360061521	Saddle, Electrofusion, Versatap, 3" IPS, includes completion plug and cap
	360061522	Saddle, Electrofusion, Versatap, 4" IPS, includes completion plug and cap
	360061523	Saddle, Electrofusion, Versatap, 6" IPS, includes completion plug and cap
	360061524	Saddle, Electrofusion, Versatap, 8" IPS, includes completion plug and cap
	360062601	VersaTap Fitting Adapter, 2" NPT